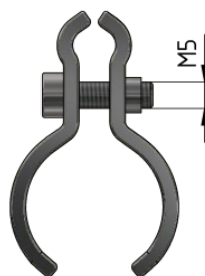
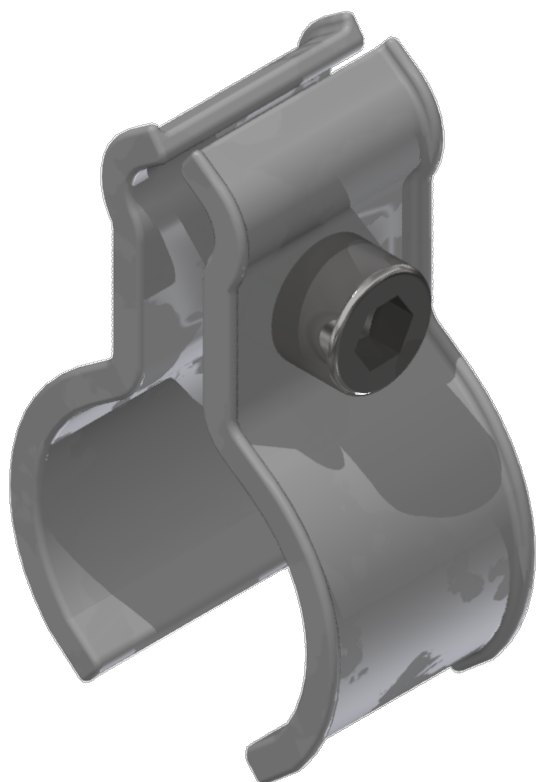


Cable pipe for cable 95-120 mm², to steel/steel-copper cable 26-50 mm²

Item number E3438-01



Material and weight

Weight: 0.035 kg

Material: SST

Comments

- Use: For attachment electrical connections (Cross connection ETB/TW) to cross-span for standard cable K+M 95-150 mm²
- To steel/steel-copper cable 26-50 mm², cable diameter 6.5-9 mm