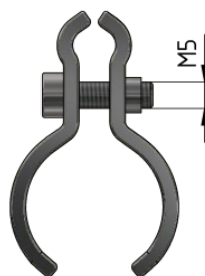
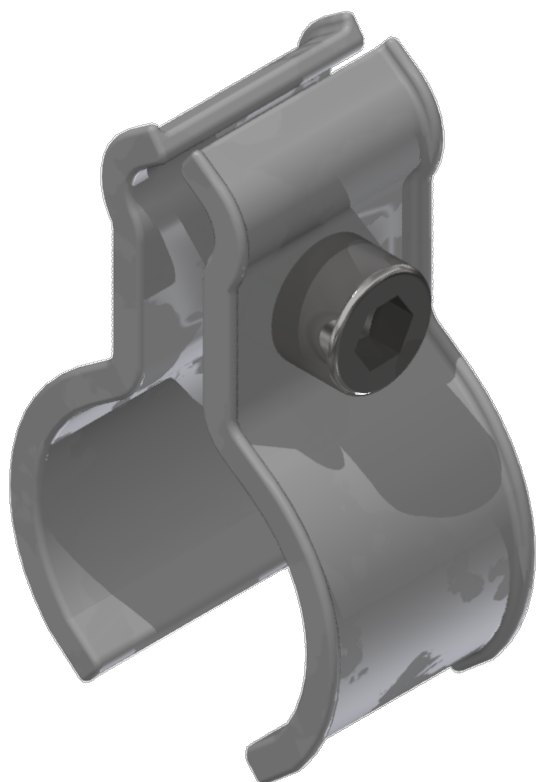


# Cable pipe for cable 150-185 mm<sup>2</sup>, to steel/steel-copper cable 26-50 mm<sup>2</sup>

Item number E3660-01



## Material and weight

Material: SST

## Comments

- Use: For attachment electrical connections (Cross connection ETB/TW) to cross-span for standard cable K+M 185 -240 mm<sup>2</sup>
- To steel/steel-copper cable 26-50 mm<sup>2</sup>, cable diameter 6.5-9 mm