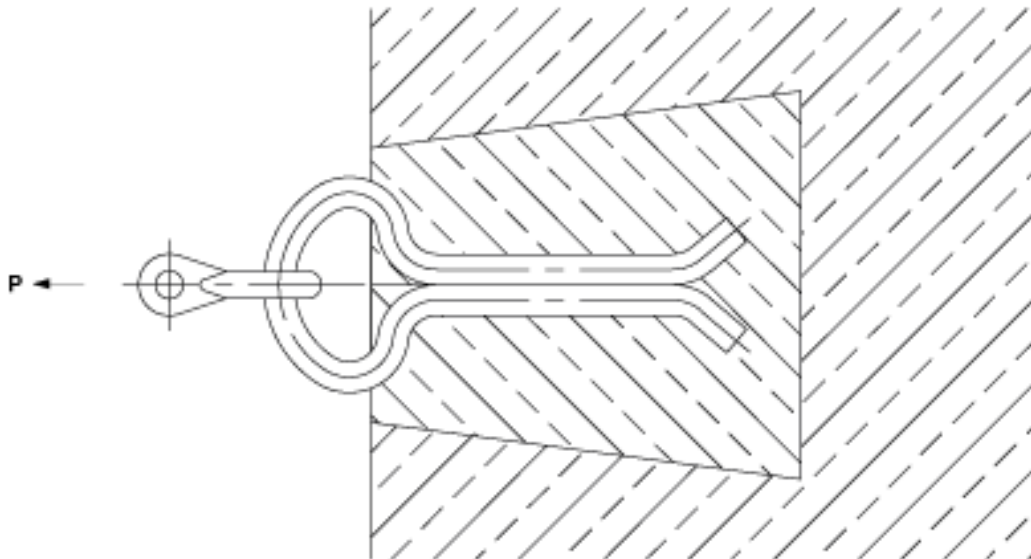


# Wall bolt with shackle STL HDG

Item number 100143



## Loads

Permitted tensile load P: 12 kN

## Comments

- To be used on standard building without external insulation or without curtain wall