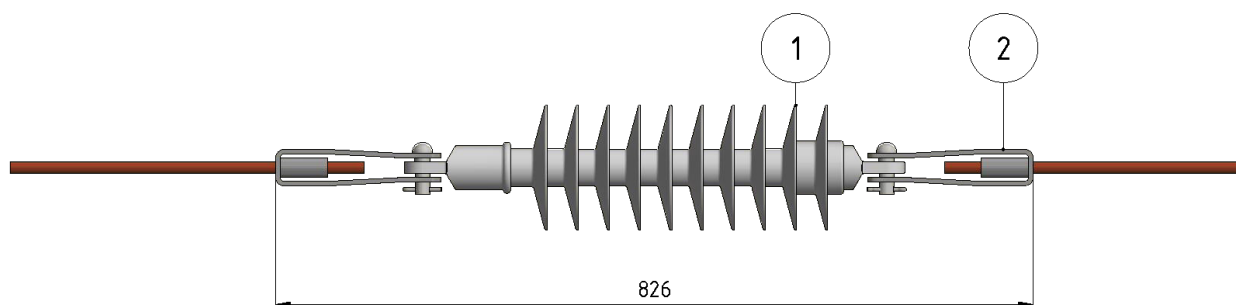


Intermediate insulation for contact wire 120 mm², copper

Item number 823006



Material and weight

Connectors: stainless steel
Forked collar socket: stainless steel
Insulator: GFRP/silicone

Specifications

Insulator creepage distance = 1241 mm
Contact wire = copper 120 mm²
Highest continuous voltage = 27.5 kV AC