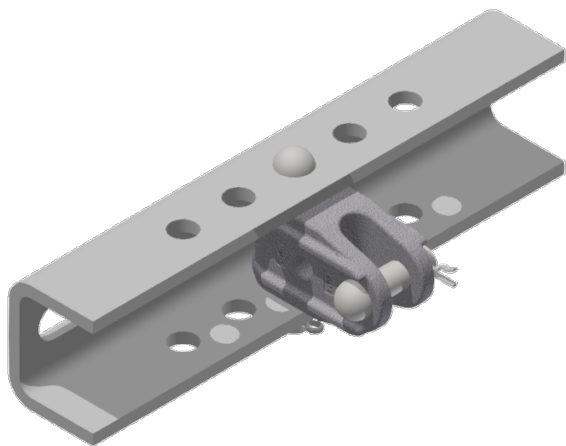


Holder traverse

Item number D3178-01



Material and weight

Traverse: hot-dip galvanised steel

Clevis fork: Aluminium

Pin, Split pin: Inox

Weight: 4.06 kg