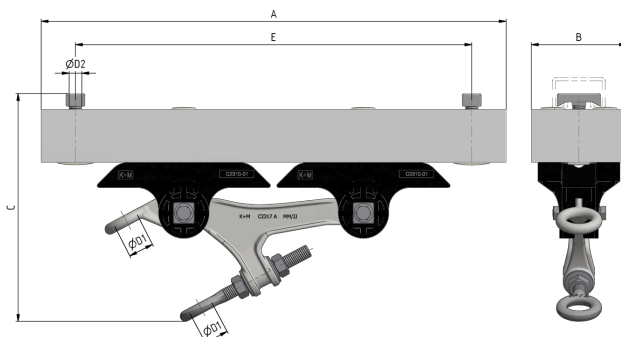
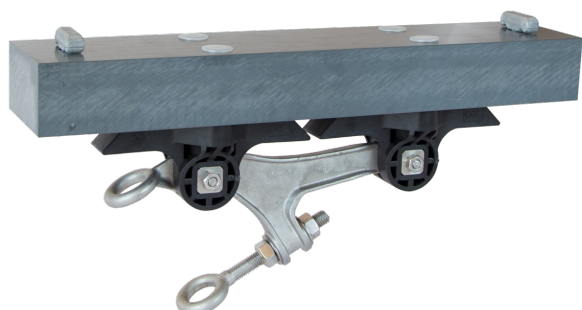


# Line insulator to Unistrut channel type 3 B including suspension screws KUSYS type 2 with double suspension eye

Item number C2377-01



## Dimensions

A: 440 mm  
B: 215 mm  
C: 90 mm  
E: 375 mm  
ØD1: 24 mm  
ØD2: M12

## Material and weight

Material: Kst / INOX / Alu  
Weight: 3.8 kg

## Loads

Breaking load vertical: 13.5 kN  
Tightening torque for bolts and hex-nuts M8: 17 Nm  
Tightening torque for suspension screws M12: : 40 Nm

## Applicable standards

DIN EN 50119  
DIN EN 50124-1  
DIN EN 50151  
CEI / IEC 60060-1

## Function

Insulator body for fastening to Unistrut channel type 3B, in medium to narrow bends. Continuously adjustable double suspension eye allowing the attachment of all type curve rail.

## Specifications

Operating voltage: max. 1500 V DC

## Comments

Attachment to different types of anchoring rails on request.  
The suspension can be mounted to cross-spans or pipes by exchanging the clamp.