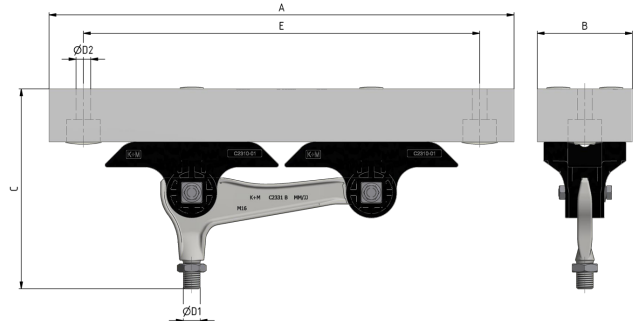


Line insulator to Unistrut channel without suspension screws KUSYS type 2 with suspension threaded bolt M16 rigid

Item number C2383-02



Dimensions

A: 440 mm
B: 90 mm
C: 189 mm
E: 375 mm
ØD1: M16
ØD2: 14 mm

Material and weight

Material: Kst / INOX / Alu
Weight: 4.1 kg

Loads

Breaking load horizontal: 1.6 kN
Tightening torque for bolts and hex-nuts M8: 17 Nm
Tightening torque for suspension screws M12: : 40 Nm

Applicable standards

DIN EN 50119
DIN EN 50124-1
DIN EN 50151
CEI / IEC 60060-1

Function

Insulator body for fastening to Unistrut channel, in straight segments or slight bends. Rigid threaded bolt suspension allowing the attachment of various railway, tramway and trolley bus components.

Specifications

Operating voltage: max. 1500 V DC

Comments

Attachment to different types of anchoring rails on request.
The suspension can be mounted to cross-spans or pipes by exchanging the clamp.