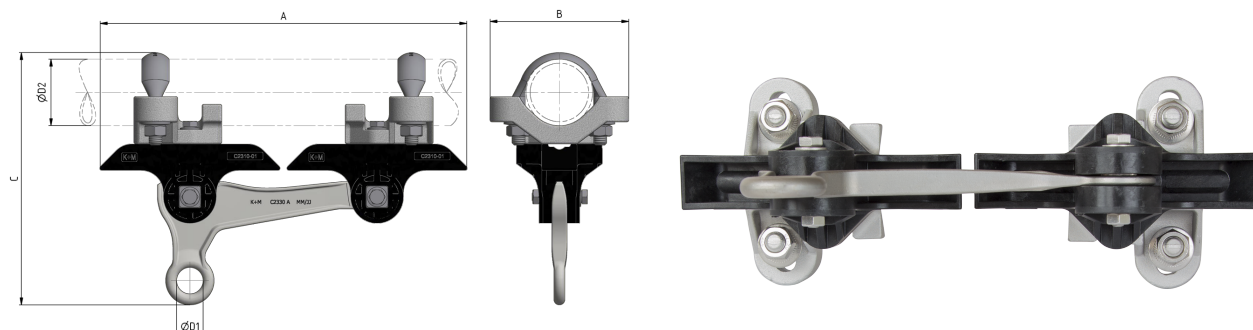


Line insulator KUSYS2 complete pull-off lever arm suspension simple eye, to pipe 2.5"

Item number C2379-03



Dimensions

A: 334 mm
B: 126 mm
C: 247 mm
ØD1: 24 mm
ØD2: G2.5" (76.1 mm)

Material and weight

Material: Kst / INOX / Alu
Weight: 2.7 kg

Loads

Tightening torque for bolts and hex-nuts M8: 17 Nm
Breaking load horizontal: 27 kN
Tightening torque for suspension screws M12: : 40 Nm

Applicable standards

DIN EN 50119

DIN EN 50124-1
DIN EN 50151
CEI / IEC 60060-1

Function

Insulator body for fastening to cross-spans, in medium to narrow bends. Suspension for tramway hanger wire or steady arms.

Specifications

Operating voltage: max. 1500 V DC

Comments

The application in overhead contact lines requires a wide insulation of the support structure to the support bases.
Optional: Exchanging the u-bolt allows mounting to pipes Ø45 - 80mm.
The suspension can be mounted to cross-spans or ceilings by exchanging the clamp.