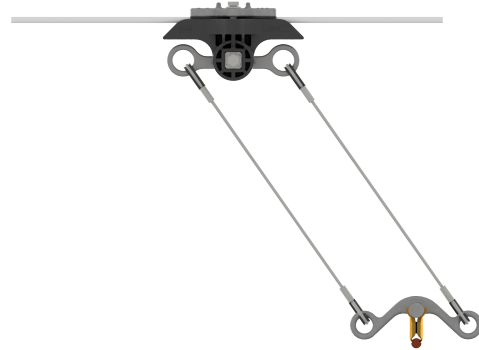


Contact wire suspension ETB with line insulator KUSYS, in tangent to cross-span steel/steel-copper cable 0-2.5° pendulum

Item number 103314



Specification

Operating voltage: max. 1500 V DC

Comments

- Line insulator GRP/SST/Al

- Accessories SST
- Contact wire clamps CuAl

Ersatz für

101750