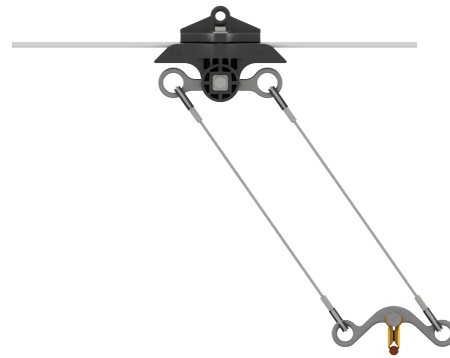


Contact wire suspension ETB with line insulator type 1, in tangent to cross-span of synthetic material 0-2.5° pendulum

Item number 103421



Specification

Operating voltage: max. 1500 V DC

Comments

- Line insulator GRP/SST/Al

- Accessories SST

- Contact wire clamps CuAl

Ersatz für

101774