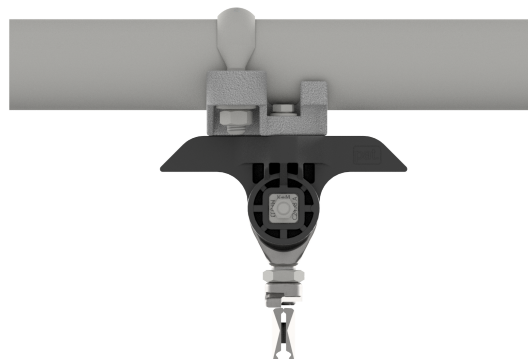


Contact wire suspension ETB with line insulator KUSYS, to top pipe G2", rigid 1-2.5° with contact wire clamp short M16

Item number 103425



Specifications

Operating voltage: max. 1500 V DC

Comments

- Line insulator GRP/SST/Al

- Accessories SST
- Contact wire clamp CuAl
- Clamp short STL HGD

Replacement of

101784