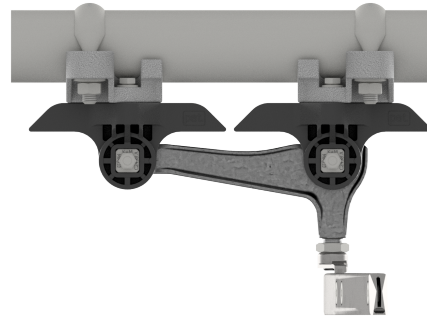


Contact wire suspension ETB with line insulator type 2, in curves to pipe G2" 5.5-7.5° with curve rail type 1, M16

Item number 103412



Specifications

Operating voltage: max. 1500 V DC

Comments

- Line insulator GRP/SST/Al

- Accessories SST
- Curve rails STL HGD

Replacement of

101786