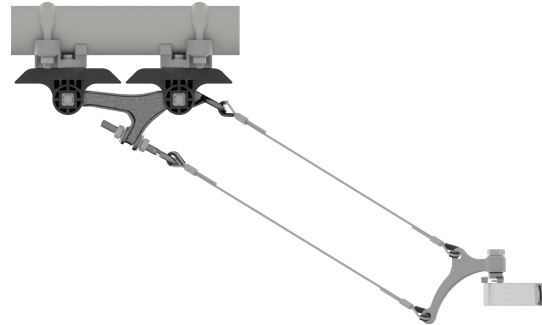


Contact wire suspension ETB with line insulator type 2, in curves to pipe G2.5" 10.5-14° with curve rail type 3, M16

Item number 103395



Specifications

Operating voltage: max. 1500 V DC

Comments

- Line insulator GRP/SST/Al

- Accessories SST
- Curve rails M16 STL HGD

Replacement of

101816