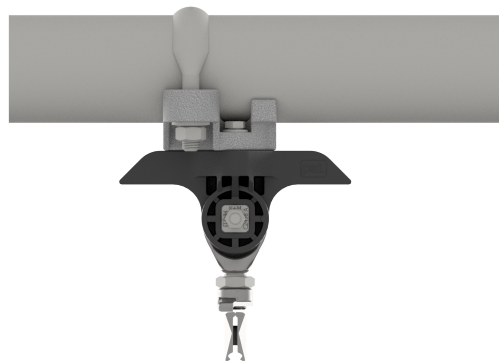


# Contact wire suspension ETB with line insulator KUSYS, to top pipe G2.5", rigid 1-2.5° with contact wire clamp short M16

Item number 103356



## Specifications

Operating voltage: max. 1500 V DC

## Comments

- Line insulator GRP/SST/Al

- Accessories SST
- Contact wire clamp CuAl
- Clamp short STL HGD

## Replacement of

101794