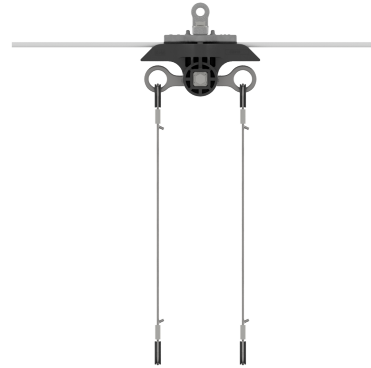


Suspension section insulator to double cross-span steel/steel-copper cable 26-50 mm², with suspension eye

Item number 103319



Specifications

Voltage: Line insulator max. 1500 V

Comments

- With line insulator type 1

- Hanger wires SST
- 2 suspensions are needed per section insulator

Replacement of

101709