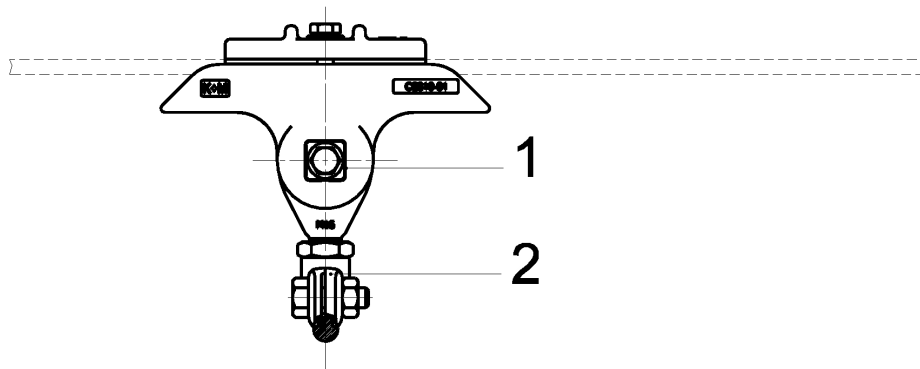


# Contact wire suspension TW with line insulator KUSYS1, in tangent to cross-span steel/steel-copper cable 0-4°, contact wire clamp M16

Item number 103326



## Specifications

Operating voltage: max. 1500 V DC

## Comments

- Line insulator GRP/SST/Al

- Accessories SST

- Contact wire clamp CuNiSi

## Replacement of

101658