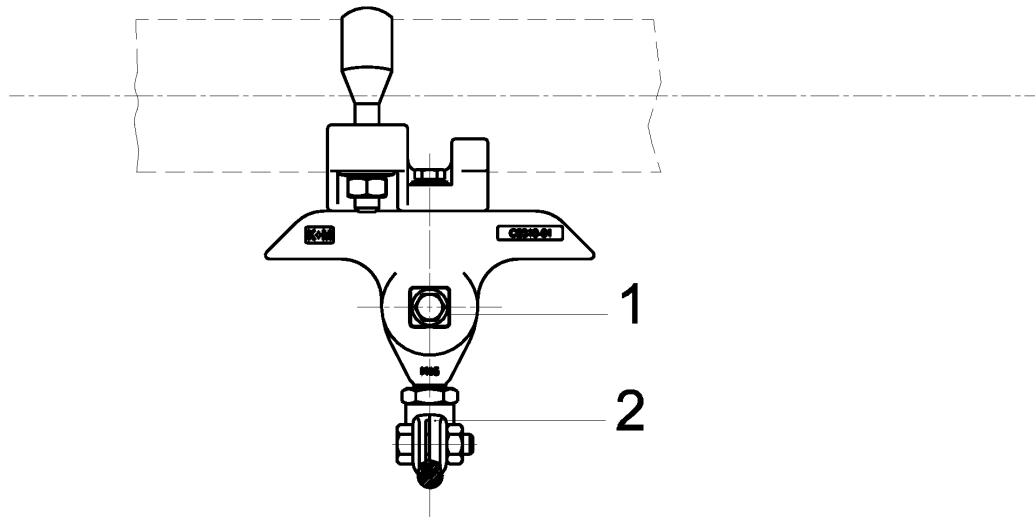


Contact wire suspension TW with line insulator type 1, in tangent to pipe G2.5" 0-4° with contact wire clamp M16

Item number 103354



Specification

Operating voltage: max. 1500 V DC

Comments

- Line insulator GRP/SST/Al

- Accessories SST

- Contact wire clamp CuNiSi

Ersatz für

101694