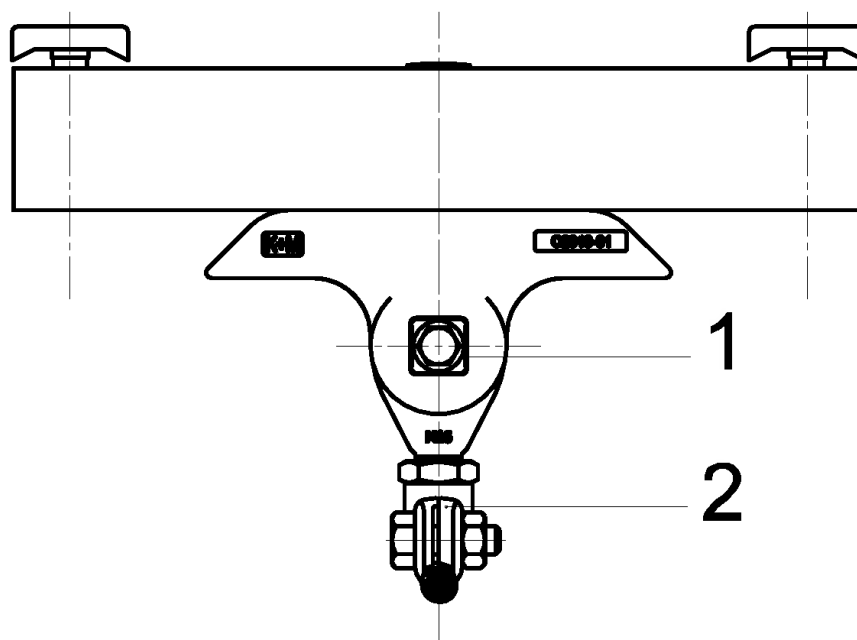


# Contact wire suspension TW with line insulator type 1, in tangent to Unistrut channel type 3 B 0-4° with contact wire clamp M16

Item number 103343



## Specifications

Operating voltage: max. 1500 V DC

## Comments

- Line insulator GRP/SST/Al

- Accessories SST

- Contact wire clamp CuNiSi

## Replacement of

101704