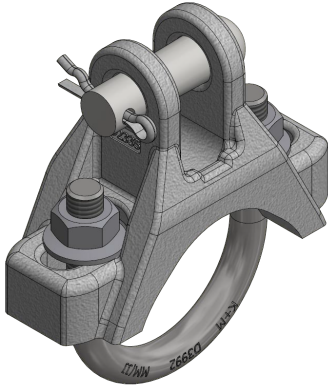


Pipe attachment complete with U-bolt round, to pipe G2"

Item number D2336-11



Dimensions

B: 75 mm
A: 20 mm
Ø1: 16 mm
Ø2: M12

Material and weight

Weight: 0.585 kg

Material: Al/SST

Loads

Breaking load FL along: of clevis fork 14.0 kN
Breaking load FQ across: of clevis fork 4.5 kN
Breaking load FZ on traction: 30.0 kN

Comments

- Additional executions on request