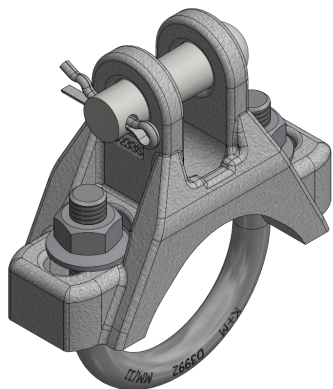


Pipe attachment complete with U-bolt round, to pipe $\varnothing = 70$ mm

Item number D2336-13



Dimensions

B: 70 mm
A: 20 mm
 $\varnothing 1$: 16 mm
 $\varnothing 2$: M12

Material and weight

Material: Al/SST

Loads

Breaking load FL along: of clevis fork 14.0 kN
Breaking load FQ across: of clevis fork 4.5 kN
Breaking load FZ on traction: 30.0 kN

Comments

- Additional executions on request