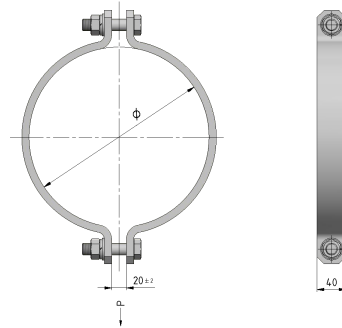


# Pole clamp for round poles

Item number C1139



## Dimensions

Ø: 100 up to 475mm (C1139-01 up to C1139-76)

## Material and weight

Material: STL HDG

## Loads

Permitted tensile load P: 13 kN

## Comments

- With hexagon screw M16 x 70/38, hexagon nut, washer and spring washer
- Clamp halves can also be delivered separately
- Range of pole diameter:  $\pm 2$  mm of the nominal diameter of the pole clamp