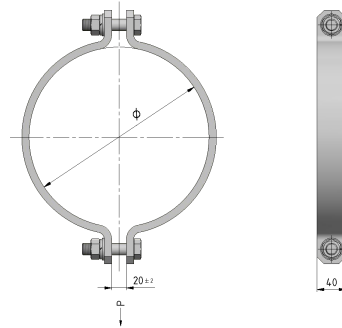


Pole clamp for round poles $\varnothing 140\text{mm}$

Item number C1139-09



Dimensions

\varnothing : 100 up to 475mm (C1139-01 up to C1139-76)

Material and weight

Material: STL HDG

Loads

Permitted tensile load P: 13 kN

Comments

- With hexagon screw M16 x 70/38, hexagon nut, washer and spring washer
- Clamp halves can also be delivered separately
- Range of pole diameter: ± 2 mm of the nominal diameter of the pole clamp