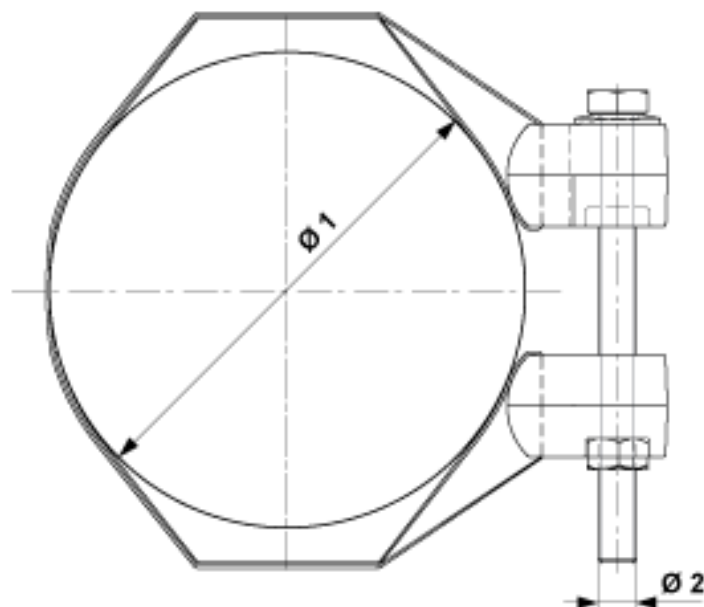


Pole clamp with band to round pole for 2 armatures

Item number D2960



Dimensions

Ø2: M12

Ø1: 150-250 mm

Material and weight

Material: Bz/St Inox

Weight: 0.785 kg

Loads

Tighting torque: 30 Nm