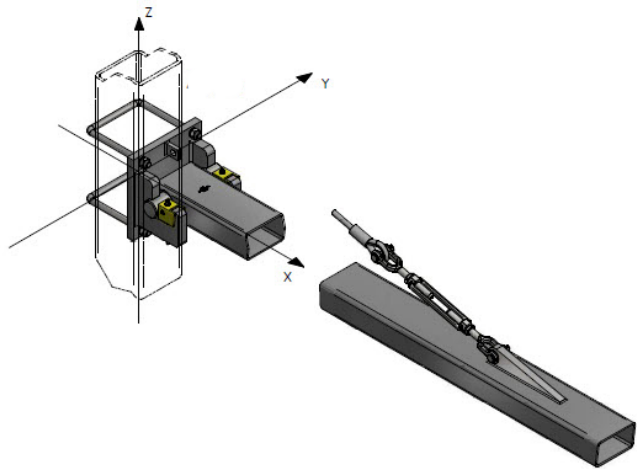


# Multi-track cantilever with fast-release wedge connector

Item number 502029



## Dimensions

Length: 5 - 15m

## Specification

Cantilever profile RRW: 240x150x(X) mm

Track coverage up to approx. 17 m

For mast types:

- RRW 250x250x16 mm
- RRW 300x300x16 mm
- RRW 350x350x16 mm

Permitted payload: 1.5 kN/m' plus relocatable single load of  $Q_k$ : 2 kN (for a base length of 13 m)

Permitted horizontal connection torque:  $M_k$ : 40.0 kNm

## Comments

weitere Spezifikationen auf Anfrage

## Downloads

<https://www.kummlermatter.ch/en/offers/downloads>