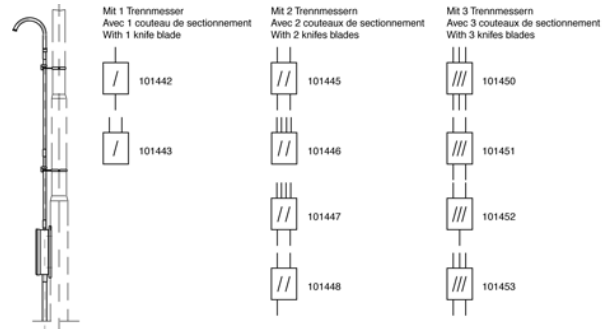
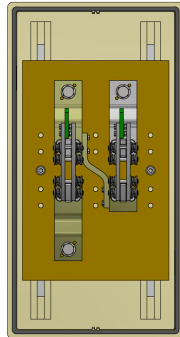
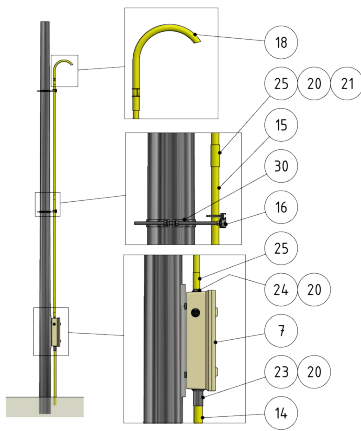


Switch cabinets, with 2 knives blades, 1 entry/2 exits

Item number 101448



Comments

- Attachment to round pole

- Clamp for round pole, part no. C1139-... (to be ordered separately)