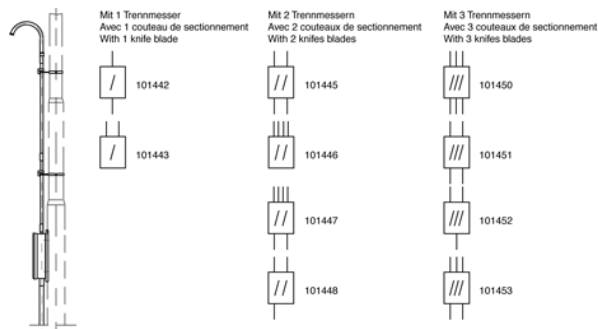
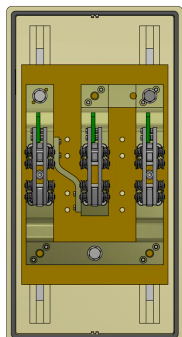
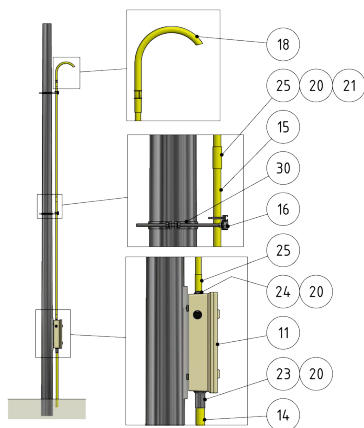


Switch cabinets, with 3 knives blades, 1 entry/2 exits/1 bridging

Item number 101452



Comments

- Attachment to round pole

- Clamp for round pole, part no. C1139-... (to be ordered separately)