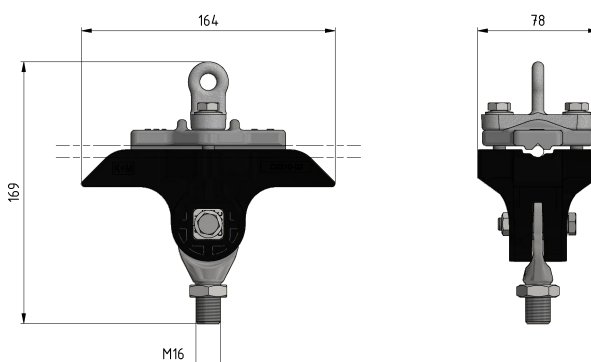
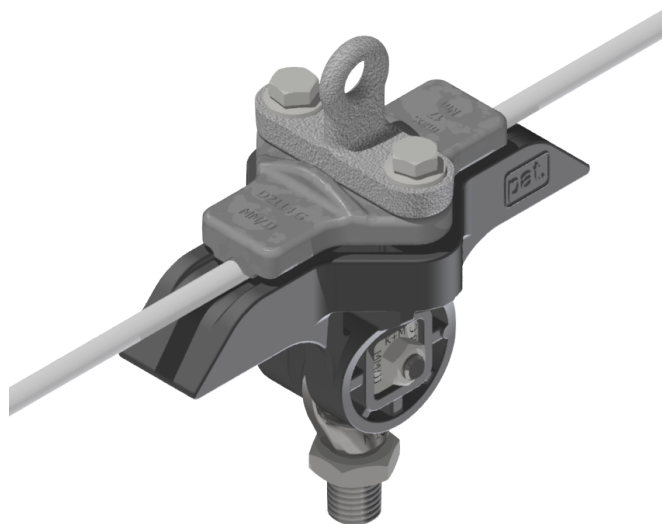


# Line insulator to steel cable KUSYS type 1 with suspension threaded bolt M16 rotatable, with suspension eye

Item number C2396-02



## Dimensions

A: 164 mm  
B: 78 mm  
C: 132 mm  
ØD1: M16

## Material and weight

Material: Kst / INOX / Alu  
Weight: 0.8 kg

## Loads

Breaking load horizontal: 2.45 kN/ H:90 mm  
Bruchlast der Aufhängeöse: 12 kN  
Tightening torque for bolts and hex-nuts M8: 17 Nm

## Applicable standards

DIN EN 50119  
DIN EN 50124-1  
DIN EN 50151

Kummler+Matter AG  
Rietstrasse 14  
8108 Dällikon

Tel. +41 44 247 47 47  
info@kummlermatter.ch  
kummlermatter.ch

CEI / IEC 60060-1

## Function

Insulator body for fastening to cross-spans in straight segments or slight bends. Threaded bolt rigid, suspension allowing the attachment of various railway, tramway and trolley bus components.

## Specifications

Operating voltage: max. 1500 V DC  
Cable diameter: 7.0 - 9.5 mm

## Comments

The application in overhead contact lines requires a wide insulation of the support structure to the support bases.  
Clamping is possible on the following cables: steel hot-dip galvanised and steel/copper.  
The suspension can be mounted to pipes or ceilings by exchanging the clamp.



A COLAS RAIL COMPANY