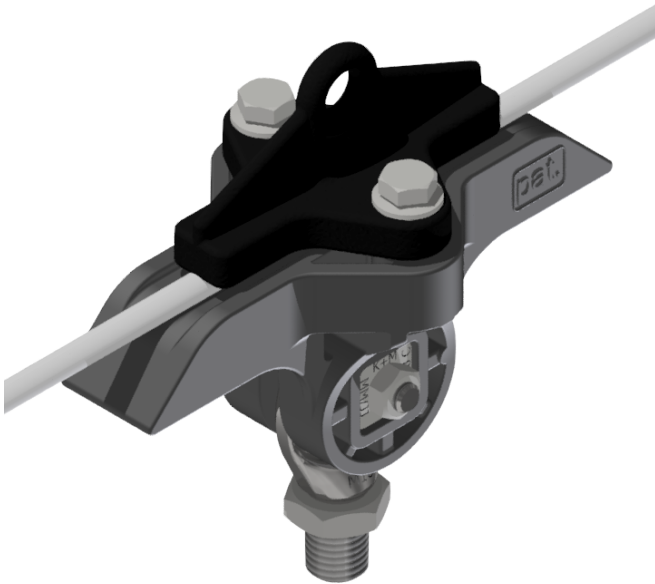


Line insulator to synthetic rope $\varnothing = 11.0-13.5$ mm KUSYS type 1 with suspension threaded bolt M16 rotatable, with hanger eye

Item number C2396-03



Dimensions

A: 164 mm
B: 78 mm
C: 132 mm
 $\varnothing D1$: M16

Material and weight

Material: Kst / INOX / Alu
Weight: 0.8 kg

Loads

Breaking load horizontal: 2.45 kN/ H:90 mm
Bruchlast der Aufhängeöse: 12 kN
Tightening torque for bolts and hex-nuts M8: 17 Nm

Applicable standards

DIN EN 50119
DIN EN 50124-1

Kummler+Matter AG
Rietstrasse 14
8108 Dällikon

Tel. +41 44 247 47 47
info@kummlermatter.ch
kummlermatter.ch

DIN EN 50151
CEI / IEC 60060-1

Function

Insulator body for fastening to cross-spans in straight segments or slight bends. Threaded bolt rigid, suspension allowing the attachment of various railway, tramway and trolley bus components.

Specifications

Operating voltage: max. 1500 V DC
Cable diameter: 7.0 - 9.5 mm

Comments

The application in overhead contact lines requires a wide insulation of the support structure to the support bases.
Clamping is possible on the following cables: steel hot-dip galvanised and steel/copper.



A COLAS RAIL COMPANY

The suspension can be mounted to pipes or ceilings by exchanging the clamp.

Kummler+Matter AG
Rietstrasse 14
8108 Dällikon

Tel. +41 44 247 47 47
info@kummlermatter.ch
kummlermatter.ch

