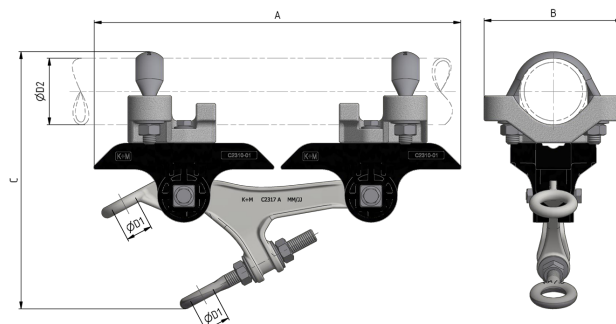


# Line insulator to pipe 1.5" KUSYS type 2 with double suspension eye

Item number C2376-01



## Dimensions

A: 334 mm  
B: 126 mm  
C: 223 mm  
ØD1: 24 mm  
ØD2: 48.3 mm

## Material and weight

Material: Kst / INOX / Alu  
Weight: 2.8 kg

## Loads

Breaking load horizontal: 27 kN  
Tightening torque for bolts and hex-nuts M8: 17 Nm  
Tightening torque for bolts M12: 40 Nm

## Applicable standards

DIN EN 50119  
DIN EN 50124-1  
DIN EN 50151

CEI / IEC 60060-1

## Function

Insulator body for fastening to pipes, in medium to narrow bends. Continuously adjustable double suspension eye allowing the attachment of all type curve rail.

## Specifications

Operating voltage: max. 1500 V DC

## Comments

The application in overhead contact lines requires a wide insulation of the support structure to the support bases.  
Directly mountable to circular profiles of any material.  
Optional: Exchanging the u-bolt allows mounting to pipes Ø45 - 80mm.  
The suspension can be mounted to cross-spans or ceilings by exchanging the clamp.