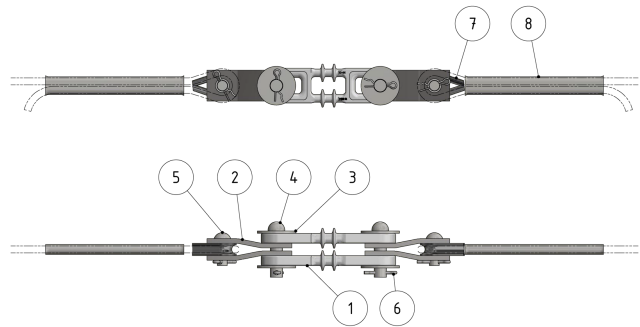
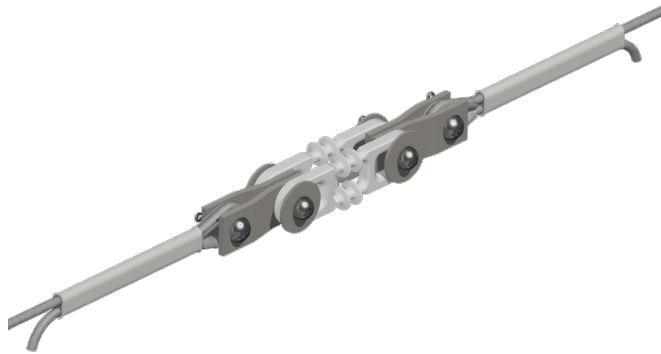


# Cut-in insulation for 1 cable, at the support network, for 50 mm<sup>2</sup> steel cable STL HDG, with 2 loop insulators

Item number 120956



## Loads

Breaking load: 65.0 kN

## Specification

Operating voltage: max. 1500 V DC