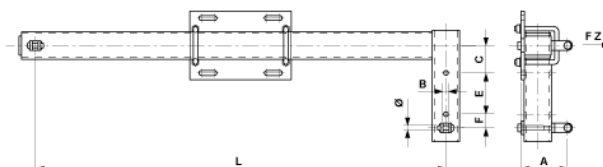
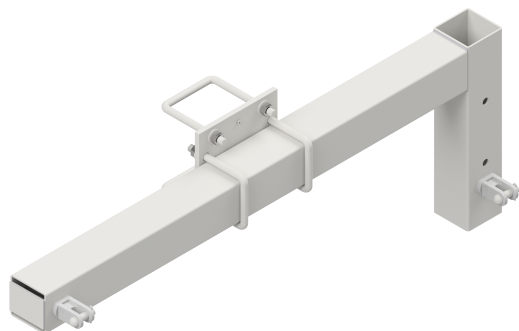


Bracket inclined complete, for suspender, for tension section, with clevis, L = 1200 mm

Item number C2622-02



Dimensions

L: 1200 mm
Ø: 16 mm
A: 169 mm
B: 21 mm
C: 100 mm
E: 150 mm
F: 50 mm

Material and weight

Weight: 27.500 kg
Material: STL HDG/Al

Loads

Breaking load F on traction: 38 kN

Comments

- Attachment to suspender poles
- U-bolts Ø= 16 mm, part no. D2476-02 (2 pcs.)(to be ordered separately)