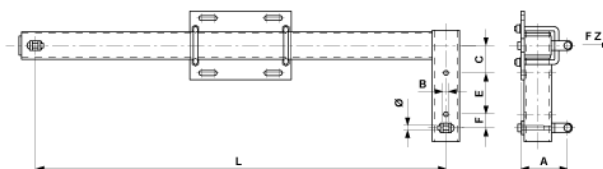
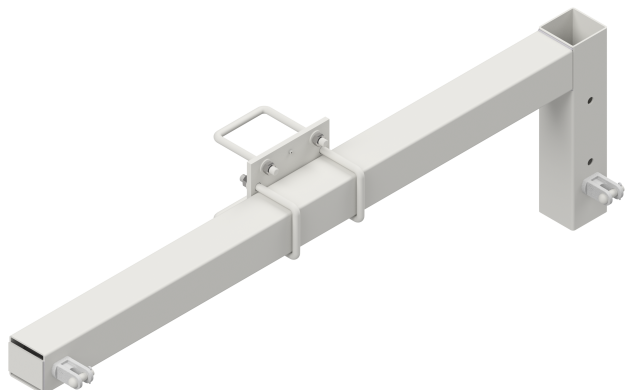


# Bracket inclined complete, for suspender, for tension section, with clevis, L = 1500 mm

Item number C2622-03



## Dimensions

L: 1500 mm  
Ø: 16 mm  
A: 169 mm  
B: 21 mm  
C: 100 mm  
E: 150 mm  
F: 50 mm

## Material and weight

Weight: 31.000 kg  
Material: STL HDG/Al

## Loads

Breaking load F on traction: 38 kN

## Comments

- Attachment to suspender poles
- U-bolts Ø= 16 mm, part no. D2476-02 (2 pcs.)(to be ordered separately)