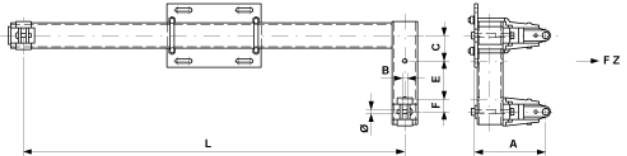
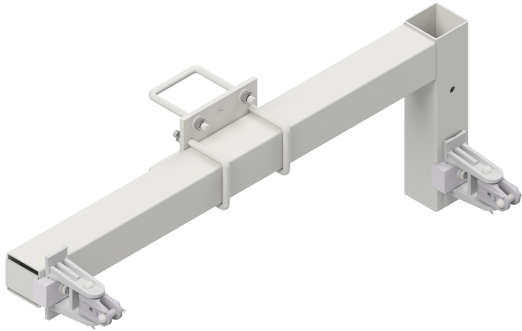


Bracket inclined complete, for suspender, for tension section, with hinge and clevis, L = 1200 mm

Item number C2624-02



Dimensions

L: 1200 mm
Ø: 16 mm
A: 280 mm
B: 20 mm
C: 100 mm
E: 150 mm
F: 50 mm

Material and weight

Weight: 31.000 kg

Material: STL HDG/Al

Loads

Breaking load F on traction: 38 kN

Comments

- Attachment to suspender poles
- U-bolts Ø= 16 mm, part no. D2476-02 (2 pcs.)(to be ordered separately)