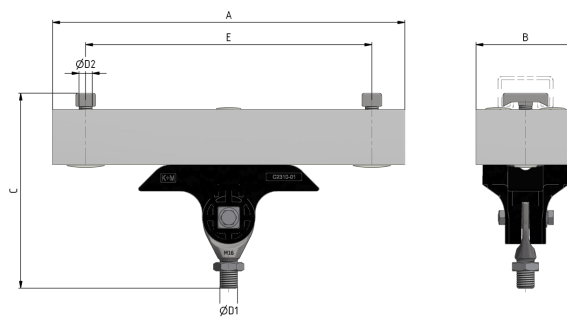


Line insulator to Unistrut channel type 3 B including suspension screws KUSYS type 1 with suspension threaded bolt BSW 5/8 rigid

Item number C2390-01



Dimensions

A: 320 mm
B: 90 mm
C: 177 mm
E: 260 mm
ØD1: BSW 5/8
ØD2: M12

Material and weight

Material: Kst / INOX / Alu
Weight: 1.9 kg

Loads

Breaking load horizontal: 4.5 kN/ H: 90 mm
Tightening torque for bolts and hex-nuts M8: 17 Nm
Tightening torque for bolts M12: 40 Nm

Applicable standards

DIN EN 50119

DIN EN 50124-1
DIN EN 50151
CEI / IEC 60060-1

Function

Insulator body for fastening to Unistrut channel type 3B, in straight segments or slight bends. Rigid threaded bolt suspension allowing the attachment of various railway, tramway and trolley bus components. The article complies with double insulation according to the above standards.

Specification

Operating voltage: max. 1500 V DC

Comments

Attachment to different types of anchoring rails on request.

The suspension can be mounted to cross-spans or pipes by exchanging the clamp.