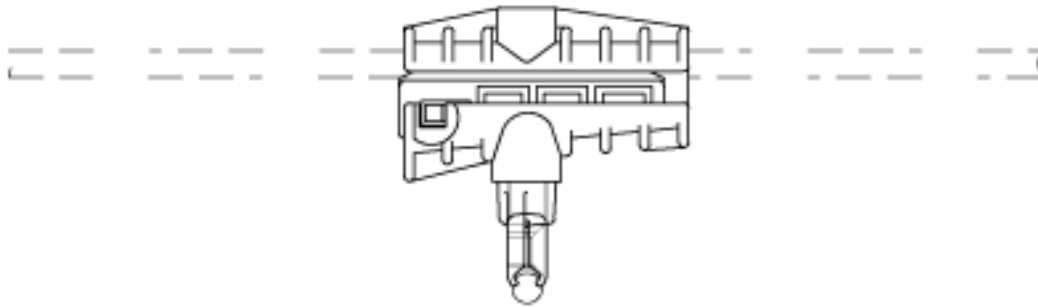


**Contact wire suspension ETB rigid, without insulation, in tangent,  
to cross-span of synthetic material  $\varnothing = 11.0$  mm, 1-2.5°, with  
clamp short 5/8"**

Item number 101547



**Comments**

- Contact wire clamp CuAl
- Clamp short STL HGD