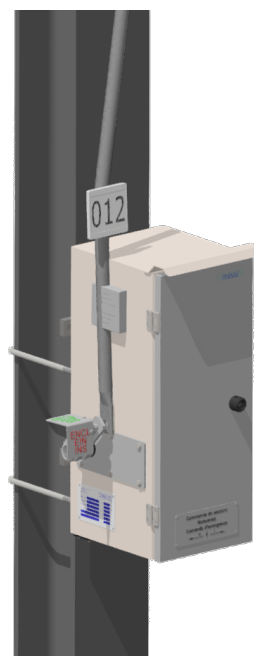
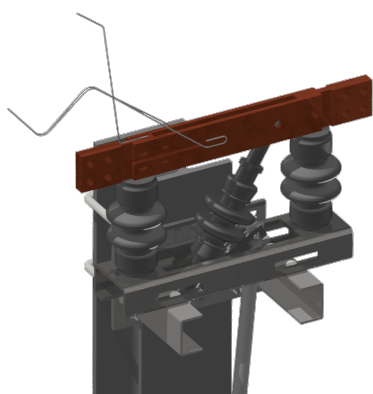


Disconnect switch complete Duplex with manual operating gear, crosswise, alongside pole, Duplex 3.6 kV with switch drive electrical lifting 120 mm to HEB 180-220

Item number 102846



Comments

- When ordering please indicate the looking, operating voltage, to size number plate and numbering
- Indication sign On-Off for switch drive lifting 75/120 mm to be ordered separately
- U-bolts for poles HEB 180-260 to be ordered

- separately (please look under brackets for disconnect switches, switch gears and guides for operating rods)
- Detailed installation plans can be requested for each delivery of this assemblies
- Additional assemblies parallel, alongside pole on request