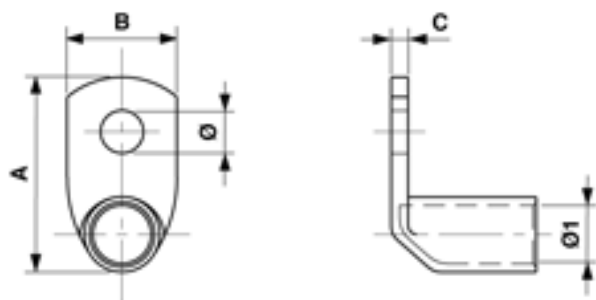


Cable connector angle 90°, 150 mm², Ø = 12.5 mm

Item number 300067



Dimensions

B: 32 mm
A: 57 mm
Ø: 12.5 mm
C: 5.5 mm

Ø1: 16.5 mm

Material and weight

Material: E-Cu
Weight: 0.105 kg