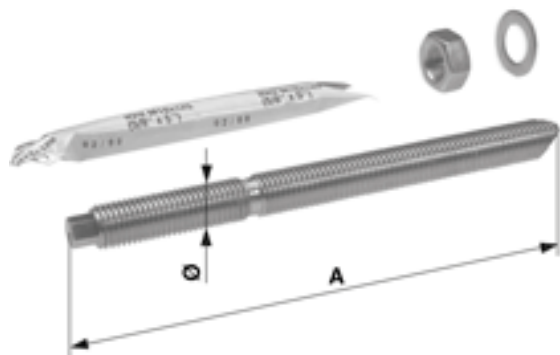


Adhesive anchor complete, HVU, M16 x 190, SST

Item number 300907



Dimensions

Ø: M16
A: 190 mm

Material and weight

Weight: 0.310 kg

Loads

Max. perm. load transverse: 24.7 kN
Max. perm. load vertical: 21.9 kN

Comments

- Type of adhesive anchor with expanding-free

anchoring in case of small edge distances

- Application for standard concrete
- Is composed of composite fail adhesive capsule and anchor rod

- Nominal diameter of the drill: 18 mm - All adhesive anchor bolts must be mounted with rotary percussion

- Please pay attention to the special regulations of the technical data sheet when mounting

- Please order the mounting tools separately

Conditions:

- All values are valid only with good quality of the concrete and if the installation procedures are followed carefully