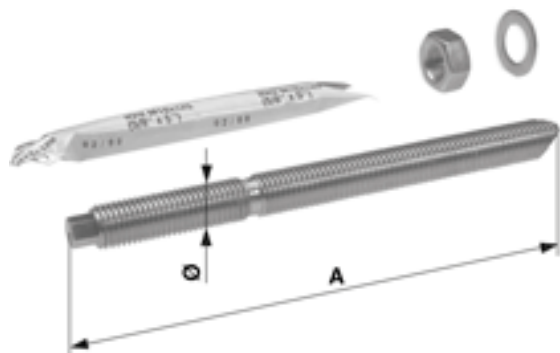


# Adhesive anchor complete, HVU, M12 x 160, SST

Item number 300941



## Dimensions

A: 160 mm

Ø: M12

## Loads

Max. perm. load transverse: 13.1 kN

Max. perm. load vertical: 15.0 kN

## Comments

- Type of adhesive anchor with expanding-free anchoring in case of small edge distances
- Application for standard concrete

- Is composed of composite fail adhesive capsule and anchor rod

- Nominal diameter of the drill: 14 mm

- All adhesive anchor bolts must be mounted with rotary percussion

- Please pay attention to the special regulations of the technical data sheet when mounting

- Please order the mounting tools separately

Conditions:

- All values are valid only with good quality of the concrete and if the installation procedures are followed carefully