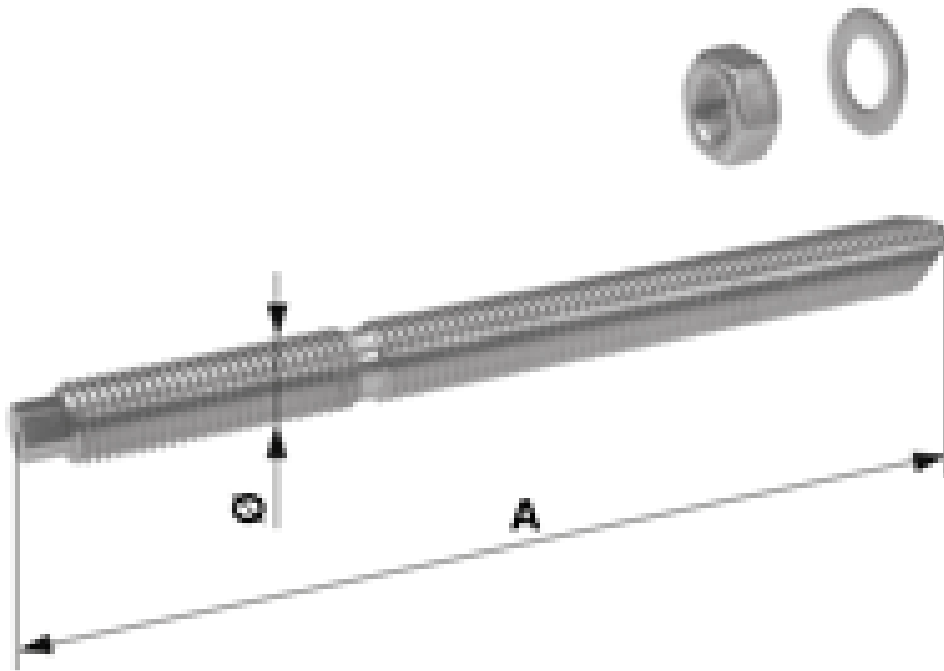


Down guy HAS-R, M16 x 260, SST

Item number 301201



Dimensions

A: 260 mm

Ø: M16

Loads

Max. perm. load transverse: 24.7 kN

Max. perm. load vertical: 21.9 kN

Comments

- Type of adhesive anchor with expanding-free anchoring in case of small edge distances
- Application for standard concrete

- Is composed of composite fail adhesive capsule and anchor rod

- Nominal diameter of the drill: 18 mm - All adhesive anchor bolts must be mounted with rotary percussion

- Please pay attention to the special regulations of the technical data sheet when mounting

- Please order the mounting tools separately

Conditions:

- All values are valid only with good quality of the concrete and if the installation procedures are followed carefully