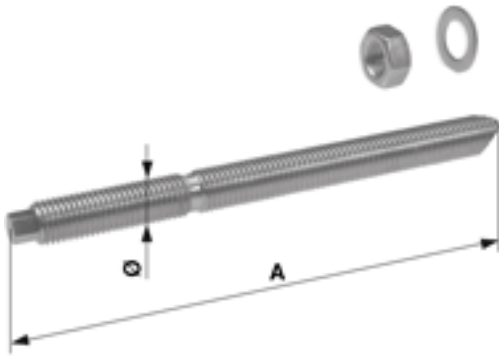


Down guy HAS-R, M20 x 240, SST

Item number 301252



Dimensions

Ø: M20 mm

A: 240 mm

Material and weight

Weight: 0.560 kg

Loads

Max. perm. load transverse: 38.6 kN

Max. perm. load vertical: 39.7 kN

Comments

- Type of adhesive anchor with expanding-free

anchoring in case of small edge distances

- Application for standard concrete
- Is composed of composite fail adhesive capsule and anchor rod

- Nominal diameter of the drill: 24 mm - All adhesive anchor bolts must be mounted with rotary percussion

- Please pay attention to the special regulations of the technical data sheet when mounting

- Please order the mounting tools separately

Conditions:

- All values are valid only with good quality of the concrete and if the installation procedures are followed carefully