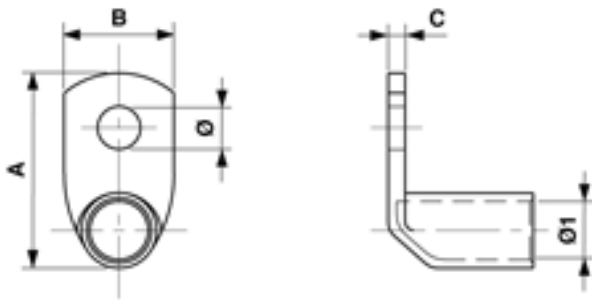


Cable connector angle 90°, 50 mm², Ø = 8.5 mm

Item number 352377



Dimensions

Ø: 8.5 mm
A: 37 mm
C: 4 mm

Ø1: 9.5 mm
B: 20 mm

Material and weight

Material: E-Cu